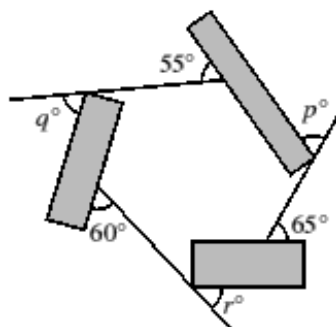




15. The diagram shows three rectangles and three straight lines.
What is the value of $p + q + r$?

- A 135 B 180 C 210
D 225 E 270



1685



©UKMT

15. **B** A non-regular hexagon can be drawn on the diagram as shown. Three of the exterior angles of the hexagon are then 55° , 60° and 65° . Since corresponding angles on parallel lines are equal, the other three exterior angles are p° , q° and r° . The total of the exterior angles of any polygon is 360° . Hence $p + q + r + 55 + 60 + 65 = 360$ and so $p + q + r = 180$.

