

**ADVANCED GCE UNIT
MATHEMATICS**

Core Mathematics 3

THURSDAY 18 JANUARY 2007

4723/01

Afternoon

Time: 1 hour 30 minutes

Additional Materials: Answer Booklet (8 pages)
List of Formulae (MF1)

INSTRUCTIONS TO CANDIDATES

- Write your name, centre number and candidate number in the spaces provided on the answer booklet.
- Answer **all** the questions.
- Give non-exact numerical answers correct to 3 significant figures unless a different degree of accuracy is specified in the question or is clearly appropriate.
- You are permitted to use a graphical calculator in this paper.

INFORMATION FOR CANDIDATES

- The number of marks is given in brackets [] at the end of each question or part question.
- The total number of marks for this paper is 72.

ADVICE TO CANDIDATES

- Read each question carefully and make sure you know what you have to do before starting your answer.
- **You are reminded of the need for clear presentation in your answers.**

This document consists of **4** printed pages.

1 Find the equation of the tangent to the curve $y = \frac{2x+1}{3x-1}$ at the point $(1, \frac{3}{2})$, giving your answer in the form $ax + by + c = 0$, where a , b and c are integers. [5]

2 It is given that θ is the acute angle such that $\sin \theta = \frac{12}{13}$. Find the exact value of

(i) $\cot \theta$, [2]

(ii) $\cos 2\theta$. [3]

3 (a) It is given that a and b are positive constants. By sketching graphs of

$$y = x^5 \quad \text{and} \quad y = a - bx$$

on the same diagram, show that the equation

$$x^5 + bx - a = 0$$

has exactly one real root. [3]

(b) Use the iterative formula $x_{n+1} = \sqrt[5]{53 - 2x_n}$, with a suitable starting value, to find the real root of the equation $x^5 + 2x - 53 = 0$. Show the result of each iteration, and give the root correct to 3 decimal places. [4]

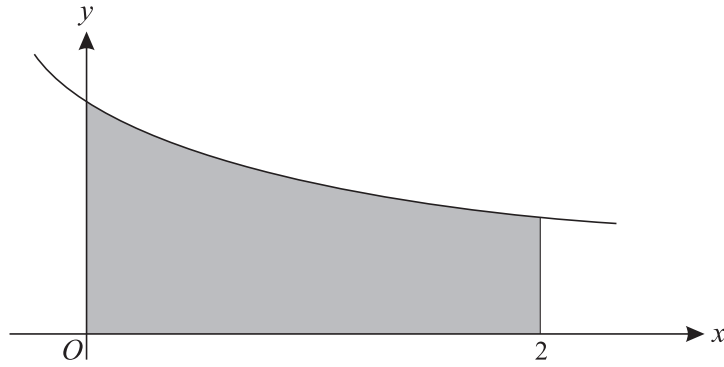
4 (i) Given that $x = (4t + 9)^{\frac{1}{2}}$ and $y = 6e^{\frac{1}{2}x+1}$, find expressions for $\frac{dx}{dt}$ and $\frac{dy}{dx}$. [4]

(ii) Hence find the value of $\frac{dy}{dt}$ when $t = 4$, giving your answer correct to 3 significant figures. [3]

5 (i) Express $4 \cos \theta - \sin \theta$ in the form $R \cos(\theta + \alpha)$, where $R > 0$ and $0^\circ < \alpha < 90^\circ$. [3]

(ii) Hence solve the equation $4 \cos \theta - \sin \theta = 2$, giving all solutions for which $-180^\circ < \theta < 180^\circ$. [5]

6



The diagram shows the curve with equation $y = \frac{1}{\sqrt{3x+2}}$. The shaded region is bounded by the curve and the lines $x = 0$, $x = 2$ and $y = 0$.

(i) Find the exact area of the shaded region. [4]

(ii) The shaded region is rotated completely about the x -axis. Find the exact volume of the solid formed, simplifying your answer. [5]

7 The curve $y = \ln x$ is transformed to the curve $y = \ln\left(\frac{1}{2}x - a\right)$ by means of a translation followed by a stretch. It is given that a is a positive constant.

(i) Give full details of the translation and stretch involved. [2]

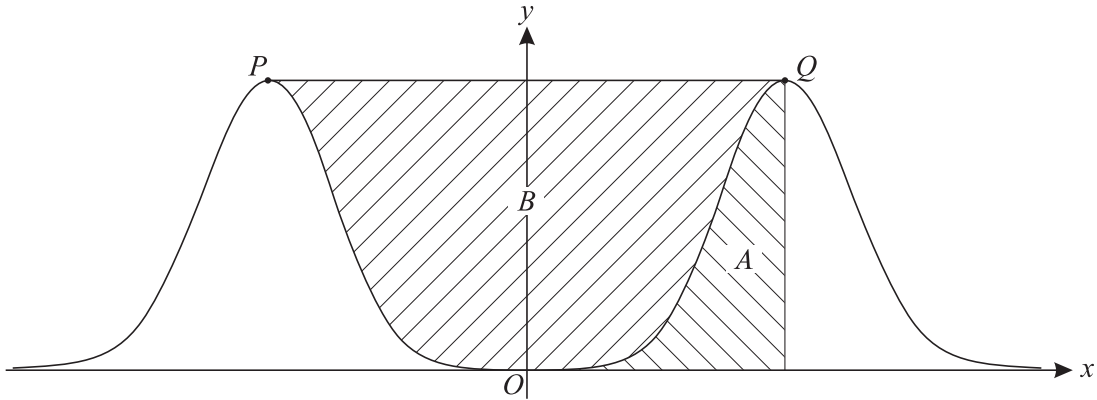
(ii) Sketch the graph of $y = \ln\left(\frac{1}{2}x - a\right)$. [2]

(iii) Sketch, on another diagram, the graph of $y = \left|\ln\left(\frac{1}{2}x - a\right)\right|$. [2]

(iv) State, in terms of a , the set of values of x for which $\left|\ln\left(\frac{1}{2}x - a\right)\right| = -\ln\left(\frac{1}{2}x - a\right)$. [2]

[Questions 8 and 9 are printed overleaf.]

8



The diagram shows the curve with equation $y = x^8 e^{-x^2}$. The curve has maximum points at P and Q . The shaded region A is bounded by the curve, the line $y = 0$ and the line through Q parallel to the y -axis. The shaded region B is bounded by the curve and the line PQ .

(i) Show by differentiation that the x -coordinate of Q is 2. [5]

(ii) Use Simpson's rule with 4 strips to find an approximation to the area of region A . Give your answer correct to 3 decimal places. [4]

(iii) Deduce an approximation to the area of region B . [2]

9 Functions f and g are defined by

$$\begin{aligned} f(x) &= 2 \sin x & \text{for } -\frac{1}{2}\pi \leq x \leq \frac{1}{2}\pi, \\ g(x) &= 4 - 2x^2 & \text{for } x \in \mathbb{R}. \end{aligned}$$

(i) State the range of f and the range of g . [2]

(ii) Show that $gf(0.5) = 2.16$, correct to 3 significant figures, and explain why $fg(0.5)$ is not defined. [4]

(iii) Find the set of values of x for which $f^{-1}g(x)$ is not defined. [6]

Permission to reproduce items where third-party owned material protected by copyright is included has been sought and cleared where possible. Every reasonable effort has been made by the publisher (UCLES) to trace copyright holders, but if any items requiring clearance have unwittingly been included, the publisher will be pleased to make amends at the earliest possible opportunity.

OCR is part of the Cambridge Assessment Group. Cambridge Assessment is the brand name of University of Cambridge Local Examinations Syndicate (UCLES), which is itself a department of the University of Cambridge.